

# All Your Trucks. All Your Systems. One Connection. One Vision.

Providing fleet owners with the tools to help them make smarter, more productive decisions that consistently deliver the lowest total cost of ownership.



## AWT2020W

### 3rd Eye Camera

- ✓ Sony HD Color Chip for Maximum Resolution
- ✓ 170° lens angle for wider view
- ✓ IR for optimal view in total darkness
- ✓ Built-in microphone for audio
- ✓ Durable against the elements

#### Discover the 3rd Eye® AWT2020W Camera

The AWT2020W is identical to the AWT2020T except it has a 170° field of view. The body is manufactured with a die-cast aluminum body with a screen resolution of 1297 (H) x 777 (V) pixels. This camera has a water intrusion rating of IP68 and capable of capturing full audio. This camera is perfect for applications where a wider field of view is required and right at home in a multi-camera array. The AWT2020W comes with IR LED lights and an auto electronic shutter for low light operations. A sun shield and mounting brackets are included.



Protect Your Drivers. Protect Your Vehicles. Protect Your Bottom Line.  
**One Brand. One Vision.**



3RD EYE® DIGITAL



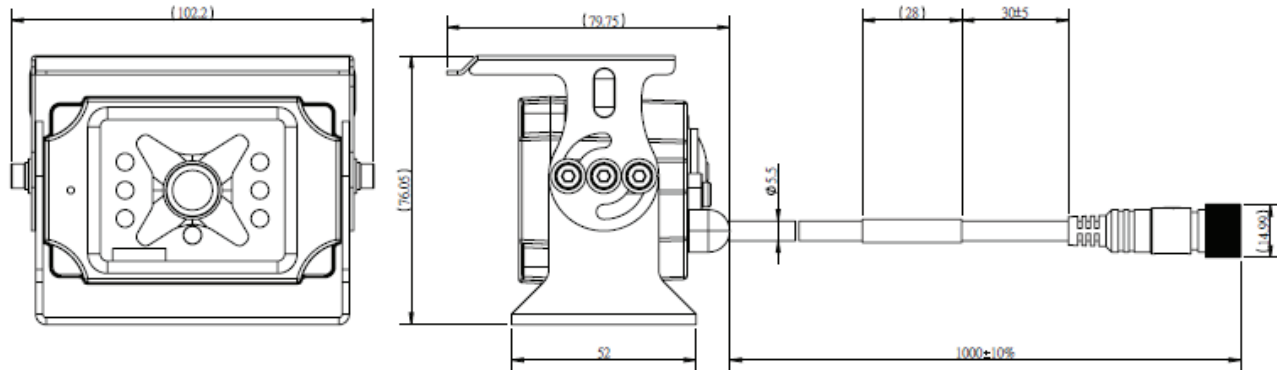
3RD EYE® MOBILE



RADAR

# AWT2020W - 3RD EYE® CAMERA

## PRODUCT SPECIFICATIONS



### Environmental Specifications:

- Camera IP Rating : IP68
- Operating Temperature : -20°C ~ 70°C
- Storage Temperature : -30°C ~ 85°C

### Technical Specifications:

- DC power Source : DC 9.6~12V
- Power Consumption : 3W (Max IR ON)
- Current : 250mA (Max IR ON))
- Imaging Devices : 1/3.2" interline transfer CMOS
- TV System : NTSC
- Effective Pixels: 1297(H) x 777(V)
- Visual Resolution : 700 TV Lines
- Sync. System: Internal
- Scanning System: 2:1 Interlace
- S/N Ratio: More than 45 dB (AGC OFF)
- Electronic Shutter:
  - Auto Electronic Shutter 1/60 ~ 1/67,500 sec.
- Min. Illumination : 0 Lux (F2.0) with IR LED ON
- Automatic Gain Control: ON
- Aperture Correction: Yes
- Frequency Horizontal: NTSC: 15.734 KHz
- Frequency Vertical: NTSC: 59.94Hz

- IR Range : 3.75 + 3 Lux IR ON/OFF
- LED Angle : 4pcs70° / 2pcs50° Total 6pcs
- Lens Mount Type: 2.1mm F2.0
- Viewing Angle : Diagonal:170°
- Dimension : 103.2(W) x 76.05(H) x 79.75(D)mm
- Video Output : Composite 1.0 Vp-p / 75 ohm
- Audio Output : 700mV (10k OHM)
- View : Switchable (Default view : Mirror)
- Casing Material : Die Cast Aluminum

### Approved Standards:

- FCC

### Package Contents:

- Camera
- Mounting Bracket
- Sunshield
- Screw Kits
- User Manual



a **DOVER** company

### **For More Information Contact Us Today**

814 Jarrett Way Austin, TX 78728  
Technical Sales & Service: 1.866.804.2984  
E-Mail: info@3rdeyecam.com

Specifications Subject to Change on 60 Day Notice | Effective 09.28.2018