

All Your Trucks. All Your Systems. One Connection. One Vision.

Providing fleet owners with the tools to help them make smarter, more productive decisions that consistently deliver the lowest total cost of ownership.



AWT07MLEDT

7" LCD Color Monitor

- ✓ Up to five (5) camera inputs
- ✓ Display four (4) video streams simultaneously
- ✓ User friendly push-button interface
- ✓ Large, easy-to-read 7" display
- ✓ Rugged, robust design for harsh conditions

Discover the 3rd Eye® AWT07MLEDT 7" Color LCD Monitor

The 3rd Eye AWT07MLEDT LCD color monitor is the perfect display for fleets looking to increase visibility and safety. The 7" monitor has capacity for up to five separate camera inputs and is capable of displaying up to four separate camera feeds simultaneously, allowing for 360° of video coverage. The monitor also features full audio out – as well as an intuitive push-button interface allowing the user to switch functions, adjust brightness and/or audio. Contact your local 3rd Eye sales representative for more details.



Protect Your Drivers. Protect Your Vehicles. Protect Your Bottom Line.
One Brand. One Vision.



3RD EYE® DIGITAL



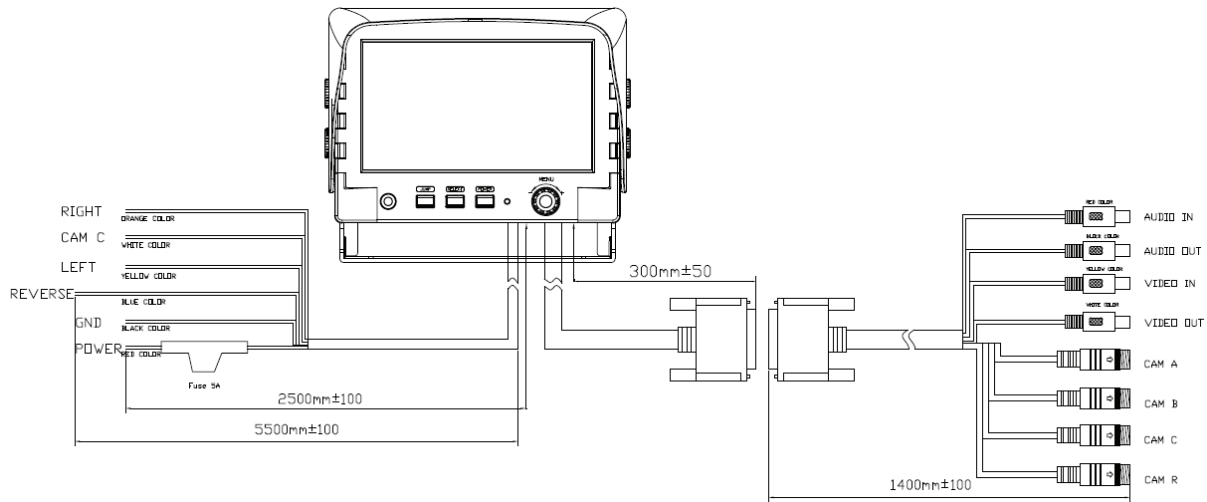
3RD EYE® MOBILE



RADAR

AWT07MLEDT - 3RD EYE® 7" LCD MONITOR

PRODUCT SPECIFICATIONS



Screen size: 7 Inch Panel (diagonal)
Active area: 154.08(H) x 85.92(V)
Pixel configuration: 0.0642 x 0.179
Resolution: 800(RGB) (W) x 480 (H)
Viewing angle: UP: 50°/Down: 70°/Left: 70°/Right: 70°
Power source: DC 9.6V ~ DC 32V
Contrast ratio: 500:1
Brightness : 400 cd/m²

AV Video In

Connector: RCA

Input Signal: 1Vpp

Impedance: 75 Ohms

Camera MINI DIN In

Connector: 6 PIN MINI DIN (Standard)

Input video signal level: 1Vpp

Impedance: 75 Ohms

Input audio signal level: 1Vpp

Power output for camera: DC 12V 350mA

AV Audio In

Connector: RCA

Input video signal level: 1Vpp

Impedance: 1K Ohms

Live Video Out

Connector: RCA

Input signal level: 1Vpp

Impedance: 75 Ohms

CAM OUT

Connector: RCA

Input signal level: 1Vpp

Impedance: 75 Ohms

LIVE Audio Out

Connector: RCA

Input signal level: 1Vpp

Impedance: 1K Ohms

Dimension

W x H x D : 192 x 140.5 x 51.8mm

Weight: N.W./G.W.: 2kg/ 2.28kg

Environmental

Operation temperature: -10°C ~ 70°C

Storage temperature: -30°C ~ 80°C

Humidity: 20%~80%

Vibration

10G/27.98~200Hz

Features:

Advanced OSD Menu for easy use

Support up to 4 CCD Camera inputs (Mini din connector)

Extra RCA input for multimedia while parking (VCD, DVD, Game device)

Provide 2 Video / 1 Audio Signal Output (Live Out)

Support Single / Dual / Triple / Quad Screen (Cam Out)

Signal Trigger for Side / Rear View

Auto Day & Night Control via Photo Diode Sensor

Auto Detection for NTSC / PAL System

OSD Control for Individual Normal / Mirror Camera Image for every camera

Auto power on when users are making left turn or right turn even reverse

Able to select CAM A / B / C / R's monitoring screen

Supported 9.6V~32V Car power system working

Professional Metal Case with Anti Shocking Design

Approved Standards:

● FCC

Package Contents:

- 7" LCD Monitor
- Sun-Hood
- Mounting Bracket
- Accessories
- Control Cable
- User Manual



a **DOVER** company

For More Information Contact Us Today

3814 Jarrett Way Austin, TX 78728

Technical Sales & Service: 1.866.804.2984

E-Mail: info@3rdeyecam.com

Specifications Subject to Change on 60 Day Notice | Effective 09.28.2018